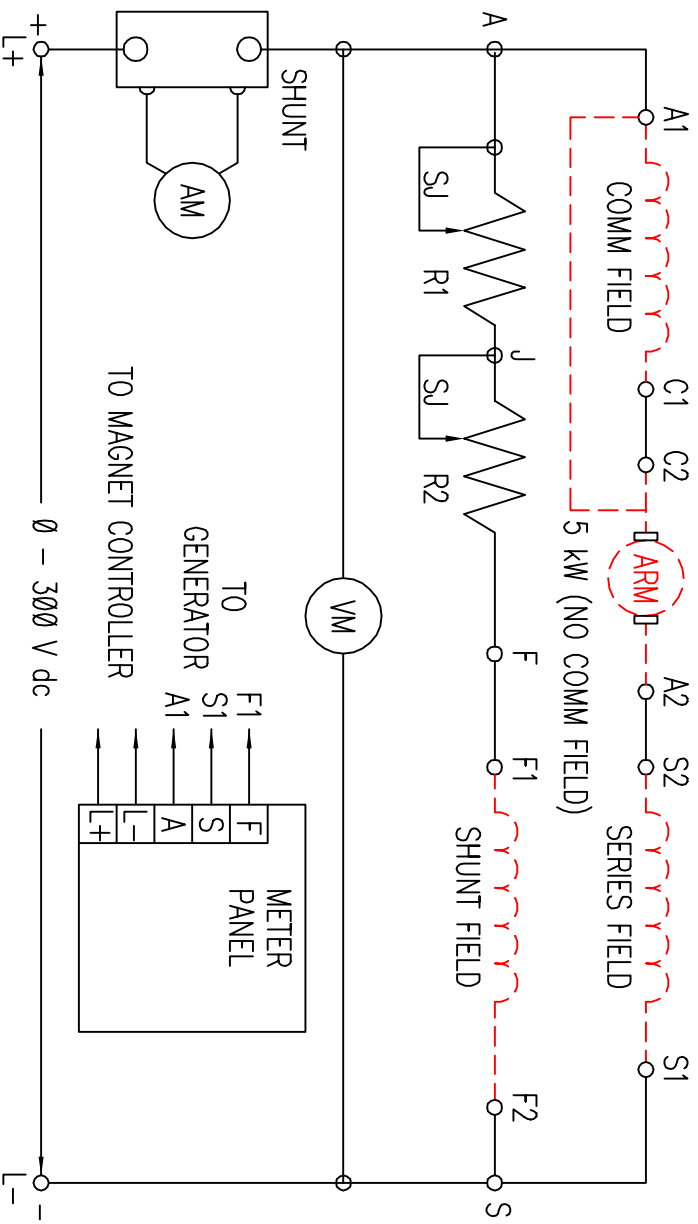


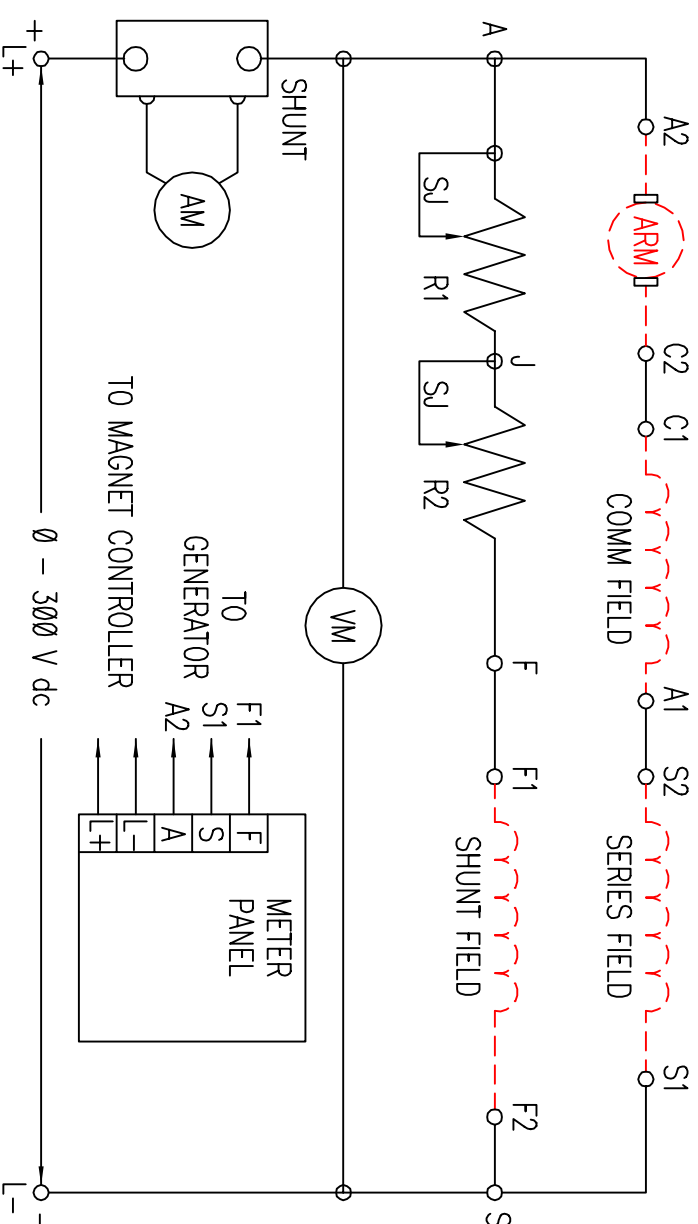
200.0

GENERATOR CONNECTION DIAGRAM

CLOCKWISE ROTATION FACING SHAFT END  
5 kW THRU 33 kW



COUNTERCLOCKWISE ROTATION FACING SHAFT END  
8 kW THRU 33 kW



100.0



THIS PART NUMBER MUST APPEAR ON DECAL

B-100653-03

DIM: mm  
TOL: ±0.5 mm

20 APR 2007	JPS	REVISED	ER-3011-34
19 JAN 2004	JPS	REVISED	ER-3011-32
21 AUG 2002	JPS	NEW RELEASE	ER-4025-225

**OHIO MAGNETICS, INC.**  
**STEARNS MAGNETICS**

SUBSIDIARY OF PEERLESS WINSMITH, INC.  
MAPLE HEIGHTS, OHIO

PART GENERATOR CONNECTION DECAL  
REMARKS FOR CONTROLLER BOX

DRAWN BY JPS DATE 20 AUG 2002  
CHECKED BY SCALE 2:1

PART NO. B-100653-03